



## 2019 IN-STOCK BAG TAGS and BOARDING PASSES

Effective January 1, 2019 (Supersedes all previous pricing)

**Highest Quality! Call 847-362-1476 for Lowest Prices!!**

**All Items Available for Same Day Shipping!**

Print-O-Tape, Inc.  
755 Tower Road  
Mundelein, IL 60060  
Telephone: 847-362-1476  
sales@printotape.com  
www.printotape.com

All Baggage Tags meet or exceed IATA RP1740a Baggage Tag Media Quality Guidelines  
and IATA Reso 740 Form of Interline Baggage Tag  
RFID Baggage Tags meet or exceed RP1740c RFID Specifications for Interline Baggage  
Boarding Passes are ATB2 Format

## IN-STOCK BAGGAGE TAGS AND BOARDING PASSES

### DIRECT THERMAL SYNTHETIC 19" BAGGAGE TAGS

All Stock Direct Thermal Synthetic Baggage Tags use Print-O-Tape SRTS 4.0 mil Direct Thermal Synthetic Facesheet and are Compatible With All On-Demand Baggage Tag Printers. Printers.

CATALOG PART #	TAG SIZE	QTY per ROLL	ROLLS per CASE	QTY per CASE	USED BY
GENBT19RL	2 X 18.76	225	12	2,700	Counter

### DIRECT THERMAL SYNTHETIC 21" BAGGAGE TAGS ROLLS

All Stock Direct Thermal Synthetic Baggage Tags use Print-O-Tape SRTS 4.0 mil Direct Thermal Synthetic Facesheet and are Compatible With All On-Demand Baggage Tag Printers. Printers.

CATALOG PART #	TAG SIZE	QTY per ROLL	ROLLS per CASE	QTY per CASE	USED BY
GENBT21RL	2 X 21	175	4	700	Counter
SLFTAG21RL	2 X 21	175	4	700	Kiosk

### DIRECT THERMAL SYNTHETIC 21" BAGGAGE TAGS FAN-FOLDED

All Stock Direct Thermal Synthetic Baggage Tags use Print-O-Tape SRTS 4.0 mil Direct Thermal Synthetic Facesheet and are Compatible With All On-Demand Baggage Tag Printers. Printers.

CATALOG PART #	LABEL SIZE	QTY per STACK	ROLLS per CASE	QTY per CASE	USED BY
GENBT21FF	2 X 21	500	2	1,000	Counter

### \*\*NEW\*\* DIRECT THERMAL SYNTHETIC \*\*RFID\*\* 21" BAGGAGE TAGS ROLLS

All Stock Direct Thermal Synthetic Baggage Tags use Print-O-Tape SRTS 4.0 mil Direct Thermal Synthetic Facesheet and are Compatible With All On-Demand Baggage Tag Printers. Printers.

CATALOG PART #	LABEL SIZE	QTY per Roll	ROLLS per CASE	QTY per CASE	USED BY
GENRFIDBT21RL	2 X 21	200	10	2,000	Counter
RFSLFTAG21RL	2 X 21	200	10	2,000	Kiosk

Layout for Print-O-Tape 21" Stock Baggage Tags, Standard and RFID

## BOARDING PASSES

### DIRECT THERMAL BOARDING PASSES

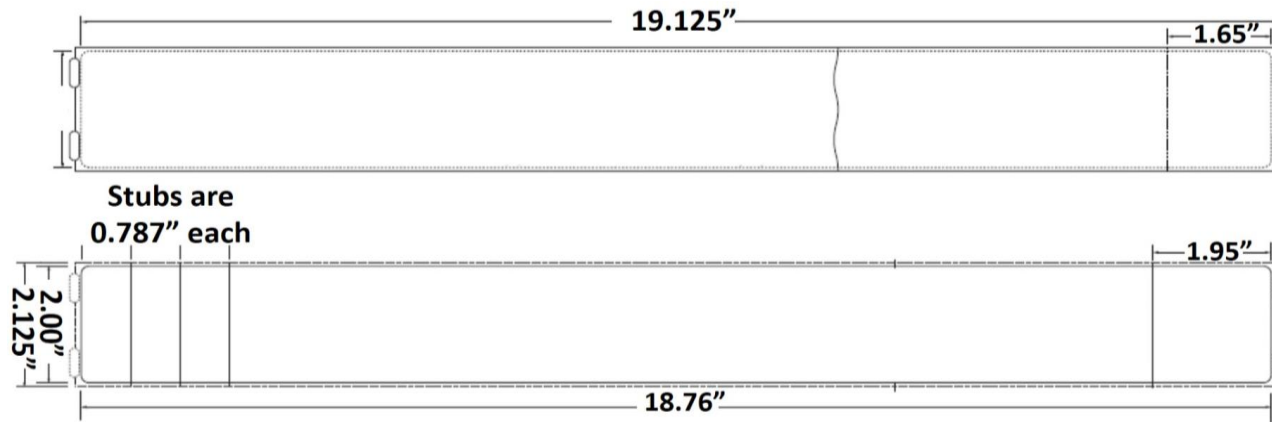
All Stock Direct Thermal Boarding Passes use Print-O-Tape Premium Boarding Pass Direct Thermal Facesheet and are Compatible With All On-Demand Boarding Pass/Bag Tag Printers.

CATALOG PART #	LABEL SIZE	QTY per STACK	STACKS per CASE	QTY per CASE	USED BY
GENBP32587.0	3.25 X 8	1,000	1	1,000	Counter
GENBP32585.3	3.25 X 8	1,000	1	1,000	Counter

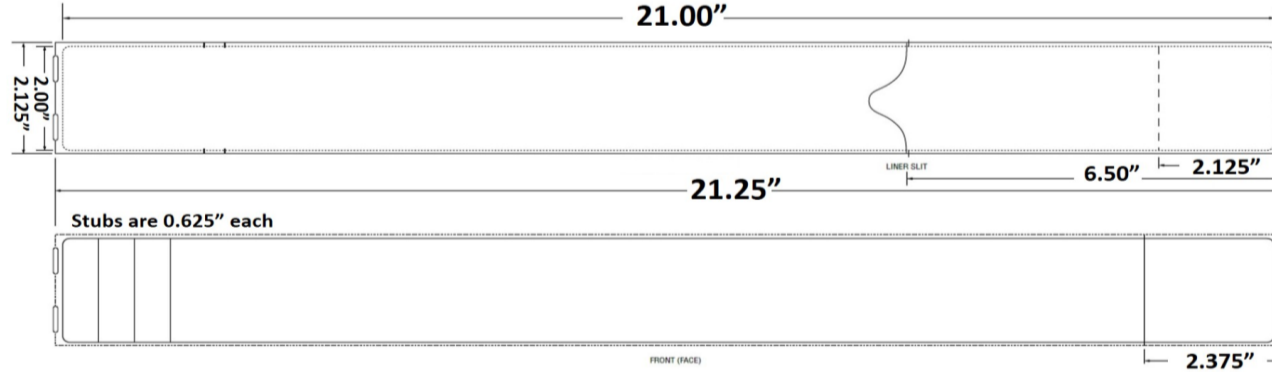
GENBP32587.0 is a 7.0 mil "thick" traditional direct thermal boarding pass.  
GENBP32585.3 is a 5.3 mil "thin" commonly used direct thermal boarding pass.

## FORMATS FOR IN-STOCK BAGGAGE TAGS and BOARDING PASSES

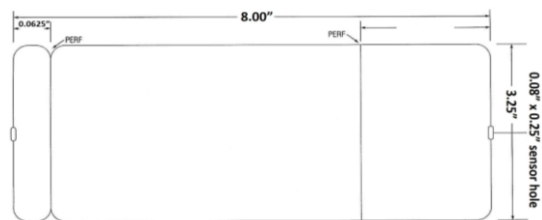
Layout for Print-O-Tape 19" Stock Baggage Tags



Layout for Print-O-Tape 21" Stock Baggage Tags



Layout for Print-O-Tape Stock Boarding Passes (Both thicknesses use the same layout)





### **OUR CAPABILITIES ARE LIMITLESS**

In addition to the In-Stock Baggage Tags and Boarding Passes indicated above, we also offer the following:

#### **Custom Bag Tags and Boarding Passes Made Specific to Your Requirements**

Full Compliment of In-Stock Thermal Transfer and Direct Thermal Labels

Custom Printed Primary Product Labels (up to 8 colors)

Consecutive Number/Consecutive Bar Code Labels

RFID Label Creation and Manufacturing

Removable Labels

Dissolvable Labels

Polyester, Polypropylene, Polyurethane, Polystyrene Labels

Contact us at 847-362-1476 for More Information

[www.printotape.com](http://www.printotape.com)

[sales@printotape.com](mailto:sales@printotape.com)

### **PRINT-O-TAPE TERMS AND CONDITIONS**

Factory Packaging Included. Custom Packaging or Labeling is Available at Extra Charge.

All Print-O-Tape Stock Labels Are Sold in Full Case Quantities Only.

All Items Ship FOB Mundelein, IL.

Payment Terms Are Net 30 Days with Approved Credit, or Cash or Credit Card Upon Receipt of Order.

FTS™ and ATS™ Are Registered Trademarks of Print-O-Tape, Inc.

Customer is Responsible for Any and All Applicable Taxes, Duties and Tariffs.